

PAJUNK®



Wound Infiltration Product Catalogue

Table of Contents

1 | LOCAL INFILTRATION ANALGESIA

InFiltr 06

2 | CONTINUOUS WOUND INFILTRATION

*Infiltr*Long + *Infiltr*Long Forte 10

*Infiltr*Long TUN + *Infiltr*Long TUN Forte + *Infiltr*Long TUN Duo 11

3 | CONTINUOUS INFILTRATION PUMP

*Fuser*Pump 14

*Fuser*Pump + *Fuser*Pump Forte + *Fuser*Pump TUN 15

4 | ACCESSORIES

*Tunnel*er + *Fuser*Pump Filler + *Clamping* Adapter 18

Filter and *Fixo*Long + *NR*Fit Accessories 19

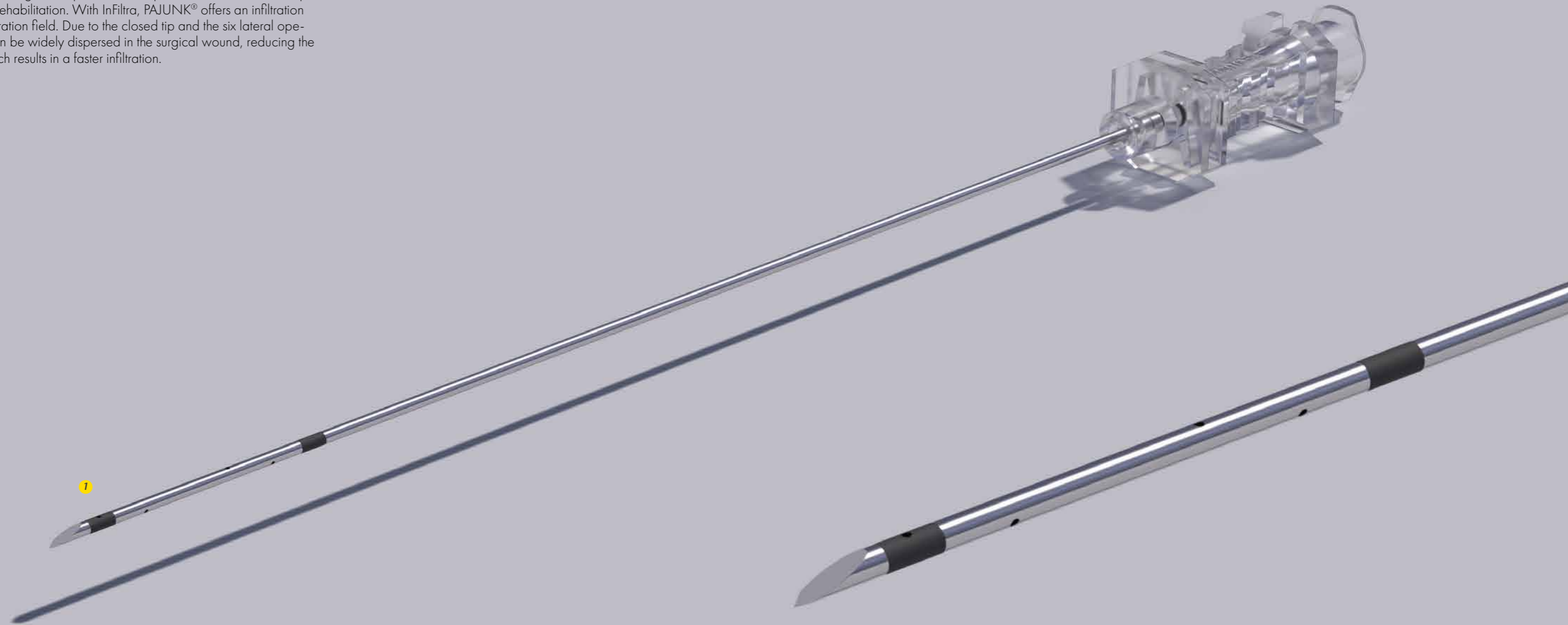


Not all products are registered and approved for sale in all countries or regions. Indications of use may also vary by country and region. Please contact your country representative for product availability and information. Product images are for reference only.

Local Infiltration Analgesia

InFiltr – Single Shot Wound Infiltration Needles

The Local Infiltration Analgesia (LIA) is performed by surgeons after a knee and hip joint placement (TEP) in a Single Shot procedure. As part of the fast-track concept the LIA is used for early rehabilitation. With InFiltr, PAJUNK® offers an infiltration needle with a large infiltration field. Due to the closed tip and the six lateral openings, the anaesthetic can be widely dispersed in the surgical wound, reducing the number of injections which results in a faster infiltration.



1 InFiltr

InFiltr

Single Shot Wound Infiltration Needles



Infiltration Area

- ▶ Six lateral openings on the first 20mm - 360 degree
- ▶ Greater infiltration field
- ▶ Faster infiltration



Closed Needle Tip

- ▶ Improved gliding properties
- ▶ Allows for infusion through lateral openings

InFiltr

InFiltr	Item no.	PU
with 6 lateral openings on the first 20mm		
20G x 100mm (4")	1158-3G100	25



Get your procedure guide at pajunk.com

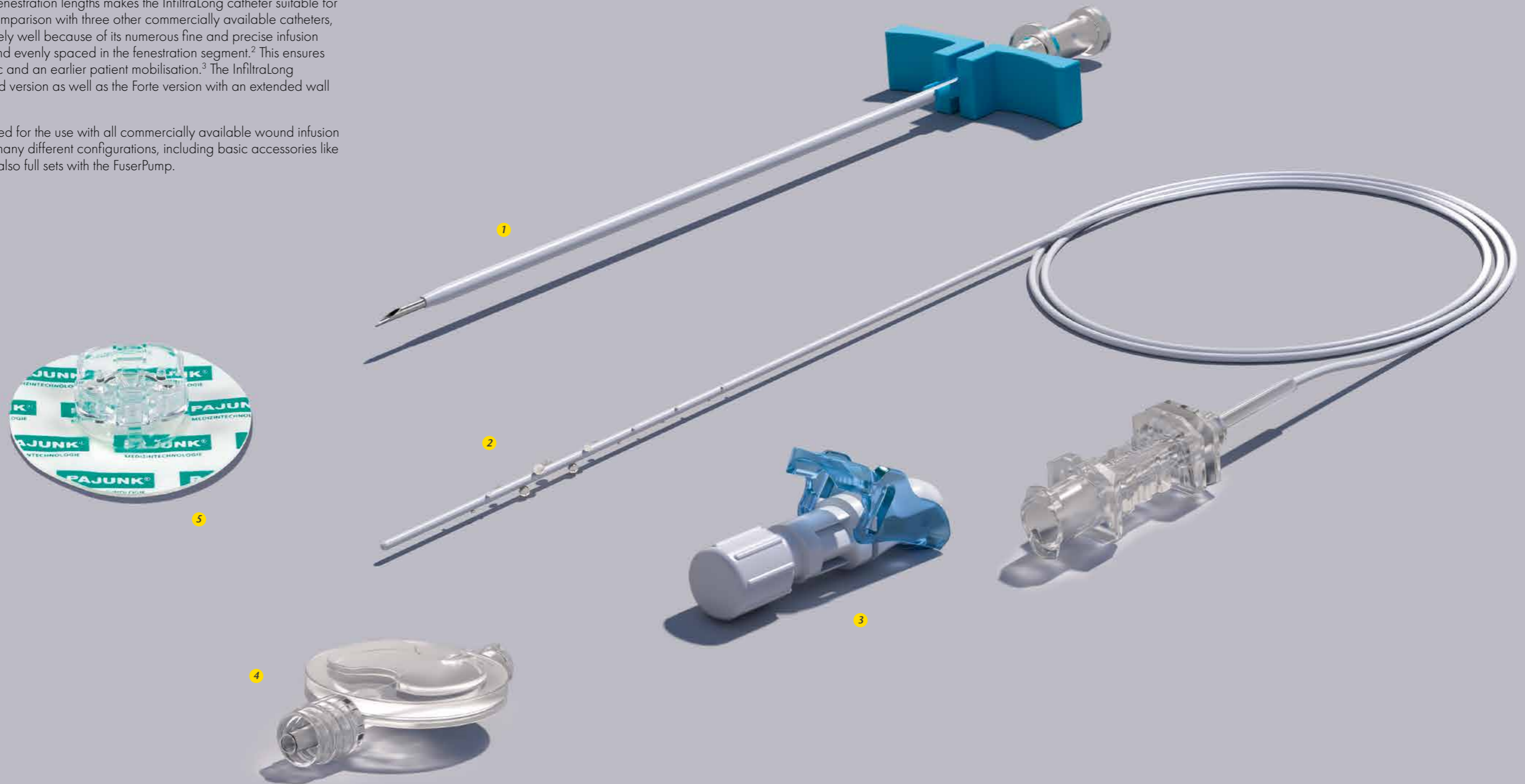
Continuous Wound Infiltration

InfiltraLong – Uniform Continuous Wound Infiltration

The PAJUNK® InfiltraLong catheter is a self-contained system for continuous Infiltration Analgesia at the surgical site. The design of the catheter allows for smooth and administration of local anaesthetic. This allows to optimise patient analgesia and improve outcomes while reducing opioid consumption.¹

The wide range of catheter and fenestration lengths makes the InfiltraLong catheter suitable for many different areas of use. In comparison with three other commercially available catheters, the InfiltraLong performed extremely well because of its numerous fine and precise infusion perforations, which are closely and evenly spaced in the fenestration segment.² This ensures an even distribution of anaesthetic and an earlier patient mobilisation.³ The InfiltraLong catheter is available in a Standard version as well as the Forte version with an extended wall thickness.

The InfiltraLong catheter is designed for the use with all commercially available wound infusion pumps. InfiltraLong sets come in many different configurations, including basic accessories like introducer needles and filter, but also full sets with the FuserPump.



- 1 Split Needle with Puncture Needle
- 2 InfiltraLong Catheter
- 3 Clamping Adapter
- 4 Filter
- 5 FixoLong

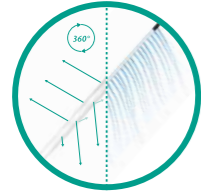


Also available in **NRFit**

1. Rawal N. 2012 Perineural catheter analgesia as a routine method after ambulatory surgery – effective but unrealistic. Reg. Anesth. Pain Med. 2012 Jan-Feb; 37(1): 72–76
 2. Campolo M. et al. Protocols to compare infusion distribution of wound catheters. Med. Eng. Phys. 2011 Apr; 34(3): 326–332
 3. Toledano, R. D. et al. Epidural Catheter Design - History, Innovations, and Clinical Implications. Anesthesiology, V 121, No 1, 2014

InfiltraLong Catheter

InfiltraLong + InfiltraLong Forte – Continuous Wound Infiltration Systems



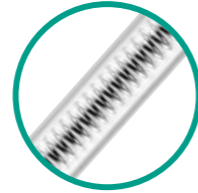
Fenestration with Precise Microperforations

- ▶ Consistent anaesthetic spread throughout the whole fenestration area for more effective pain relief²
- ▶ 360 degree arrangement of perforations



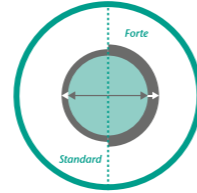
Fenestration Area Marking

- ▶ Indicate perforation positioning for easier placement



Stainless Steel Helical Coil

- ▶ Improved ultrasound visibility
- ▶ Improved catheter flexibility and stability resulting in reduced chance of kinking³
- ▶ Radiopaque



Catheter Options

- ▶ Standard and Forte catheter configurations
- ▶ Forte catheter option: 70% thicker walls with the same inner lumen for an application close to joints



Depth Markings

- ▶ Easy to read and identify

InfiltraLong + InfiltraLong Forte

InfiltraLong + InfiltraLong Forte	Item no.	Item no.	NRFit® Item no.	PU
incl. split needle with puncture needle, Filter, FixoLong	Standard catheter 19G	Forte catheter 18G	Forte catheter 18G	
InfiltraLong 420 InfiltraLong catheter 420mm (16 1/2"), with flexible helical coil and 10 openings along the first 25mm	001158-00D			10
InfiltraLong (Forte) 420 InfiltraLong catheter 420mm (16 1/2"), with flexible helical coil and 15 openings along the first 40mm	001158-00Z	001158-01Z	001168-01Z	10
InfiltraLong (Forte) 500 InfiltraLong catheter 500mm (19 1/2"), with flexible helical coil and 30 openings along the first 75mm	001158-10A	001158-11A	001168-11A	10
InfiltraLong (Forte) 600 InfiltraLong catheter 600mm (23 1/2"), with flexible helical coil and 60 openings along the first 150mm	001158-20B		001168-21B	10
InfiltraLong (Forte) 600 InfiltraLong catheter 600mm (23 1/2"), with flexible helical coil and 45 openings along the first 100mm	001158-20D		001168-21D	10
InfiltraLong (Forte) 700 InfiltraLong catheter 700mm (27 1/2"), with flexible helical coil and 88 openings along the first 220mm	001158-30C		001168-31C	10

InfiltraLong TUN + InfiltraLong TUN Forte

InfiltraLong TUN + InfiltraLong TUN Forte	Item no.	Item no.	NRFit Item no.	PU
incl. preconnected curved tunnelisator, Clamping Adater, Filter, FixoLong	Standard catheter 19G	Forte catheter 18G	Forte catheter 18G	
InfiltraLong TUN (Forte) 420T InfiltraLong catheter 420mm (16 1/2"), with flexible helical coil and 10 openings along the first 25mm	021159-00D		021169-01D	10
InfiltraLong TUN 420T InfiltraLong catheter 420mm (16 1/2"), with flexible helical coil and 15 openings along the first 40mm	021159-00Z			10
InfiltraLong TUN 500T InfiltraLong catheter 500mm (19 1/2"), with flexible helical coil and 30 openings along the first 75mm	021159-10A			10
InfiltraLong TUN (Forte) 600T InfiltraLong catheter 600mm (23 1/2"), with flexible helical coil and 60 openings along the first 150mm	021159-20B		021169-21B	10
InfiltraLong TUN (Forte) 600T InfiltraLong catheter 600mm (23 1/2"), with flexible helical coil and 45 openings along the first 100mm	021159-20D		021169-21D	10
InfiltraLong (Forte) 700T InfiltraLong catheter 700mm (27 1/2"), with flexible helical coil and 88 openings along the first 220mm	021159-30C			10
InfiltraLong (Forte) 900T InfiltraLong catheter 900mm (35 1/2"), with flexible helical coil and 88 openings along the first 300mm	021159-40C			10

InfiltraLong TUN Duo

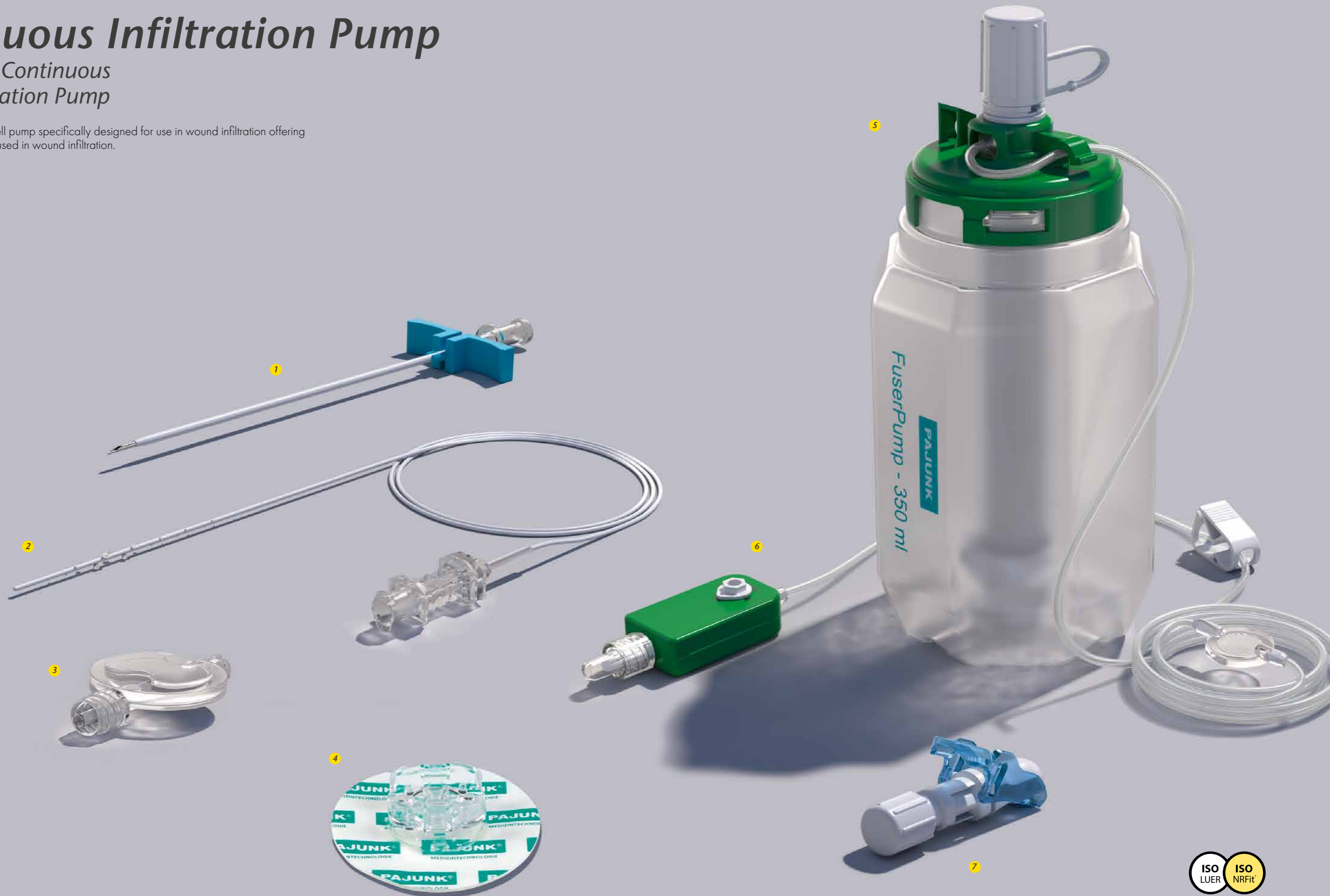
InfiltraLong TUN Duo	Item no.	Item no.	NRFit Item no.	PU
	Standard catheter 19G	Forte catheter 18G	Forte catheter 18G	
2x InfiltraLong catheter 19G x 600mm (23 1/2") with integrated stainless steel helical coil and 60 openings along the first 150mm, with 360° markings 1x Injection tube with Y-connector 1x Filter 1x FixoLong 1x Tunneler 235 1x Split needle 1x Luer-Lock syringe 20ml 2x transparent adhesive	021154-20B			3

2. Campolo M. et al. Protocols to compare infusion distribution of wound catheters, Med. Eng. Phys. 2011 Apr; 34(3): 326-332
3. Toledano, R. D. et al. Epidural Catheter Design - History, Innovations, and Clinical Implications, Anesthesiology, V 121, No 1, 2014

Continuous Infiltration Pump

FuserPump – Continuous Wound Infiltration Pump

The FuserPump is a hard shell pump specifically designed for use in wound infiltration offering the volumes and flowrates used in wound infiltration.



- 1 Split Needle with Puncture Needle
- 2 InfiltraLong Catheter
- 3 Filter
- 4 FixoLong
- 5 FuserPump
- 6 Flow Rate Selector
- 7 Clamping Adapter



Also available in NRFit

FuserPump

Continuous Wound Infiltration Pump



Hard Shell Pump

- ▶ Maximum filling volume 350ml
- ▶ Visual check: shatter-proof, clear shell
- ▶ Variable flow rates
- ▶ Non-compressible - no excess dosage due to compression



Flexible Flow Rate

- ▶ Flow rate selector with locking key
- ▶ Flexible flow rate 3, 5, 8ml/hr
- ▶ Maximum filling volume of the FuserPump 350ml

FuserPump

Product	Item no.	NRFit® Item no. *	PU
FuserPump 350ml Carrying Pouch, Spring Scale, Syringe 50ml Lock	1157-00-00	1167-00-00	3
FuserPump Filler Filling system for FuserPump with non-return valve, spike	001151-38L		10

*with Spike NRFit

FuserPump Accessories



Carrying Pouch

- ▶ Additional security for pump
- ▶ Convenience for easy carrying
- ▶ Increased patient mobility
- ▶ Enclosed with the pump



FuserPump Filler

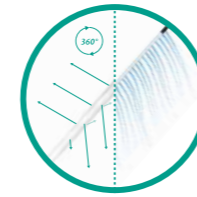
- ▶ Preventing backflow of liquids by integrated no-return valve
- ▶ Enclosed with the pump



Spring Scale

- ▶ Indicates the rough amount of anaesthetic remaining in the pump (in ml)
- ▶ Available separately

InfiltraLong (Forte) Catheter



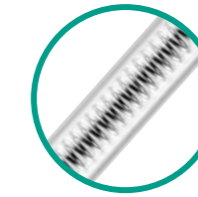
Fenestration with Precise Microperforations

- ▶ Consistent anaesthetic spread throughout the whole fenestration area for more effective pain relief²
- ▶ 360 degree arrangement of perforations



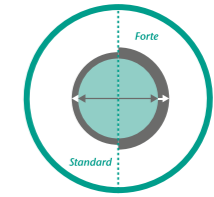
Fenestration Area Marking

- ▶ Indicate perforation positioning for easier placement



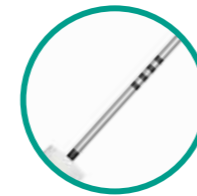
Stainless Steel Helical Coil

- ▶ Improved ultrasound visibility
- ▶ Improved catheter flexibility and stability resulting in reduced chance of kinking³
- ▶ Radiopaque



Catheter Options

- ▶ Standard and Forte catheter configurations
- ▶ Forte catheter option: 70% thicker walls with the same inner lumen for an application close to joints



Depth Markings

- ▶ Easy to read and identify

FuserPump + FuserPump Forte

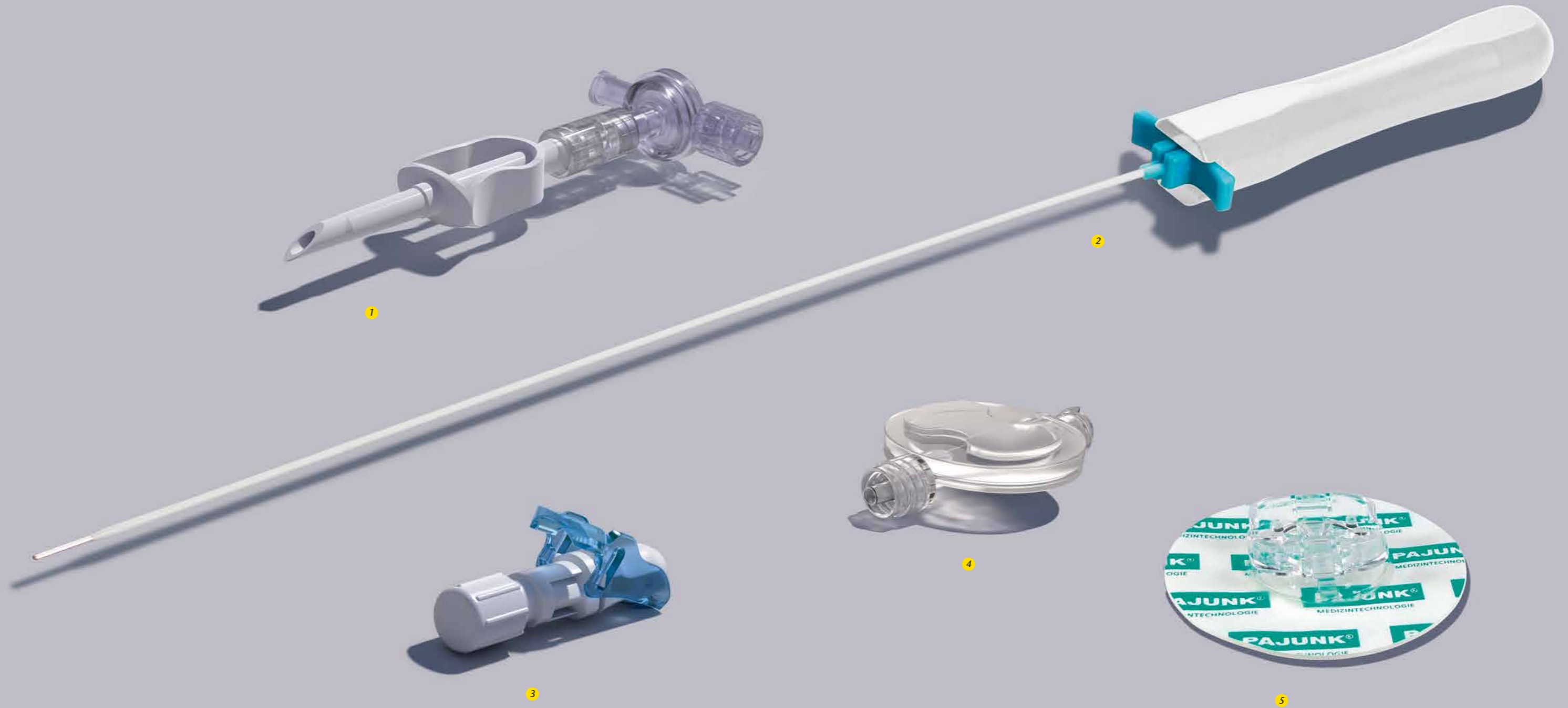
FuserPump + FuserPump Forte incl. split needle with puncture needle, FuserPump 350ml, 50ml syringe, spring scale	Item no. Standard catheter 19G	Item no. Forte catheter 18G	NRFit Item no. Forte catheter 18G	PU
FuserPump (Forte) 420 InfiltraLong catheter 420mm (16 1/2"), with flexible helical coil and 15 openings along the first 40mm	001157-00Z	001157-01Z	101167-01Z	3
FuserPump (Forte) 500 InfiltraLong catheter 500mm (19 2/3"), with flexible helical coil and 30 openings along the first 75mm	001157-10A	001157-11A	101167-11A	3
FuserPump (Forte) 600 InfiltraLong catheter 600mm (23 1/2"), with flexible helical coil and 60 openings along the first 150mm	001157-20B	001157-21B	101167-21B	3
FuserPump 600 InfiltraLong catheter 600mm (23 1/2"), with flexible helical coil and 45 openings along the first 100mm	001157-20D			3
FuserPump (Forte) 700 InfiltraLong catheter 700mm (27 1/2"), with flexible helical coil and 88 openings along the first 220mm	001157-30C		101167-31C	3
FuserPump 900 InfiltraLong catheter 900mm (35 1/2"), with flexible helical coil and 88 openings along the first 300mm	001157-40C			3

FuserPump TUN

FuserPump TUN incl. preconnected curved tunnelisator, Clamping Adapter, Filter, FixoLong, FuserPump 350ml, 50ml syringe, spring scale	Item no. Standard catheter 19G	Item no. Forte catheter 18G	NRFit Item no. Forte catheter 18G	PU
FuserPump TUN 420T InfiltraLong catheter 420mm (16 1/2"), with flexible helical coil and 15 openings along the first 40 mm	021157-00Z			3
FuserPump TUN 500T InfiltraLong catheter 500mm (19 2/3"), with flexible helical coil and 30 openings along the first 75mm	021157-10A			3
FuserPump TUN 600T InfiltraLong catheter 600mm, with flexible helical coil and 60 openings along the first 150 mm	021157-20B			3

2. Campolo M. et al. Protocols to compare infusion distribution of wound catheters, Med. Eng. Phys. 2011 Apr; 34(3): 326-332
3. Toledano, R. D. et al. Epidural Catheter Design - History, Innovations, and Clinical Implications, Anesthesiology, V 121, No 1, 2014

Accessories



- 1 FuserPump Filler
- 2 Tunneler
- 3 Clamping Adapter
- 4 Filter
- 5 FixoLong



Also available in **NRFit**

Tunneler

Instruments for Wound Catheter Placement



- ▶ Split needle with facet tip, available in InfiltraLong & FuserPump Sets
- ▶ Tunneler 105 with blunt tip - available individually
- ▶ Preconnected and curved tunnelisator, available in InfiltraLong TUN & FuserPump TUN Sets

Tunneler

Description	Item no.	PU
Tunneler 105 with split needle 95mm (3 3/4"), obturator 1cm overlapping, for catheter 18G	001151-54	1
Tunneler 235 with split needle 230mm (9"), obturator 0.5cm overlapping, for catheter 18G	001151-55	1

FuserPump Filler

Filling System for FuserPump



- ▶ Closed, sterile system for increased patient safety
- ▶ Integrated check valve prevents backflow of the liquid
- ▶ Fast and secure filling of the FuserPump

FuserPump Filler

Description	Item no.	PU
Filling system for FuserPump with non-return valve, spike	001151-38L	10

Clamping Adapter

Catheter Connector



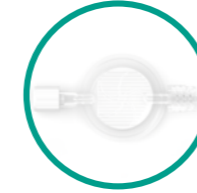
- ▶ Ensures the best possible flow
- ▶ Strong fixation

Clamping Adapter Products

Description	Item no.	NRFit® Item no.	PU
grey for 18G		001163-39C	10
white for 19G	001151-38C	001163-38C	10

Filter and FixoLong

Filter Fixation Device



- ▶ Filter fixation near the catheter outlet
- ▶ Ensures maximum freedom of movement for the patient

Filter Fixation Device

Description	Item no.	NRFit Item no.	PU
Filter	001151-37Q	001163-37X	10
FixoLong	001151-47	001163-40	10
FixoLong with Filter	001151-48	001163-41	10

NRFit Accessories

NRFit Accessorie Products

Description	NRFit Item no.	PU
Filter Needle 18G x 50mm (2")	001163-38Y	10
Locking Cap, male, yellow	001163-38S	10
Locking Cap, female, yellow	001163-38Z	10

PAJUNK®

PAJUNK® GmbH Medizintechnologie
Global Headquarters

Karl-Hall-Straße 1
78187 Geisingen, Germany
Tel.: +49 7704 9291-0
Fax: +49 7704 9291-600
info@pajunk.com
pajunk.com

PAJUNK® Medical Produkte GmbH
Central Europe

Karl-Hall-Straße 1
78187 Geisingen, Germany
Tel.: +49 7704 8008-0
Fax: +49 7704 8008-150
info@pajunk-medipro.com
pajunk.de

PAJUNK® Medical System L.P.
United States of America

4575 Marconi Drive
Alpharetta, GA 30005, USA
Tel.: +1 888 972 5865
Fax: +1 678 514 3388
info@pajunk-usa.com
pajunkusa.com

PAJUNK® UK Medical Products Ltd
United Kingdom

Unit C1 The Waterfront
Goldcrest Way, Newburn Riverside
Newcastle upon Tyne, NE15 8NY, UK
Tel.: +44 191 264 7333
info@pajunk.co.uk
pajunk.co.uk